



- For connecting four, eight or 12 fieldbus devices in Zone 2
- Ex nA or ic spurs
- Operated using High Power Trunk concept
- Reduced start-up current thanks to power management and short-circuit limiting with disconnection

A5

WebCode **9410A**



9410 series Ex n field device couplers for Zone 2 can be used for interference-free connection of up to 12 FOUNDATION Fieldbus H1 or PROFIBUS PA field devices on the High Power Trunk. The spurs with type of protection nA or ic can be used for fieldbus devices in Zones 2 (ic, nA) and 1 (d, q, m) and are protected by a short-circuit limiting function.

The integrated power management minimises start-up and short-circuit currents.

	ATEX / IECEx					
Zone	0	1	2	20	21	22
Ex interface			•			
Installation in			•			

	NEC 505 Class I			NEC 506		
Zone	0	1	2	20	21	22
Ex interface			•			
Installation in			•			

	NEC 500					
	Class I		Class II		Class III	
Division	1	2	1	2	1	2
Ex interface		•				
Installation in		•				

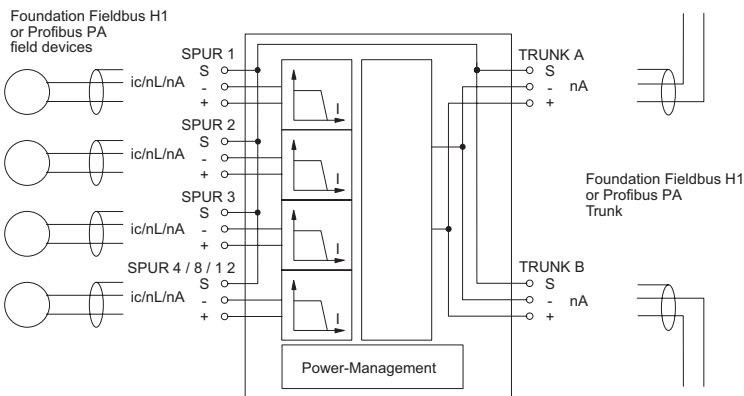
Selection Table					
Product Description					
ISbus fieldbus technology Field device coupler					
Number of channels	Connection type	Product Type	Art. No.	Weight kg	
4	Screw terminals, pluggable	9410/34-330-30	207904	0.870	
8	Screw terminals, pluggable	9410/34-330-40	207905	0.883	
12	Screw terminals, pluggable	9410/34-330-60	207906 ▲	0.900	

Field enclosures in polyester or stainless steel: Customer specific solutions on request

Technical Data	
Explosion Protection	
IECEx gas explosion protection	Ex nA [ic] IIC T4 Gc
ATEX gas explosion protection	Ⓔ II 3 G Ex nA [ic] IIC T4 Gc
EAC gas explosion protection	Ⓕ 2 Ex nA [ic] IIC T4 Gc X
Certificates	ATEX (BVS), Brazil (ULB), Canada (FM), EAC (Sertium), IECEx (BVS), International (FF), USA (FM)
Auxiliary Power	
Power dissipation max.	1.2 W
Notes	Auxiliary power is not necessary, the field device coupler will be supplied by the trunk
Input	
Voltage range Trunk	9 – 32 V
Output	
Output current	0 mA ... 41 mA; per spur

Output voltage	Min. 10 V at 41 mA
Ambient Conditions	
Ambient temperature	-40 °C ... +75 °C
Mechanical Data	
Field enclosure	Without, DIN rail mounting
Spurs ic only in connection with an ic-voltage-limited fieldbus power supply (e.g. R. STAHL 9412/01 or 9412/02)	

**Technical Drawings – Subject to Alterations**



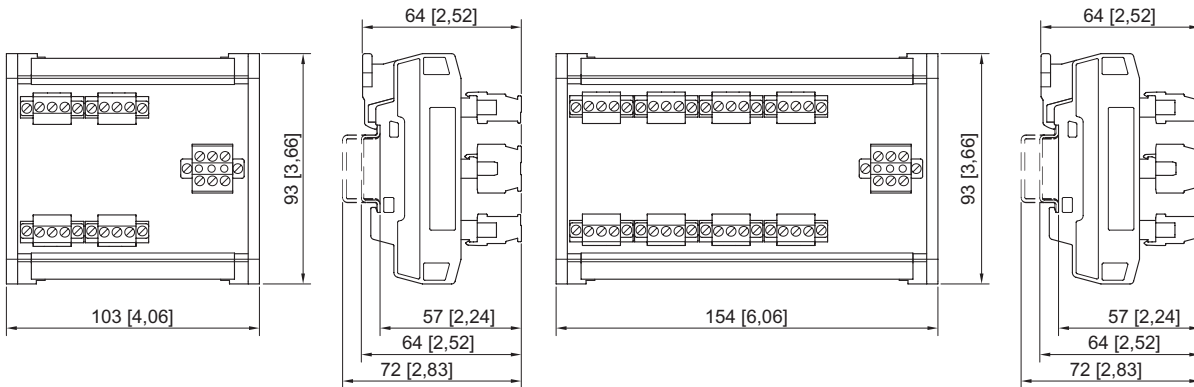
Connection diagram

**Accessories**

Figure	Description	Art. No.	Weight kg
<b>Fieldbus Power Supply</b>			
	For supply of a non-intrinsically safe trunk. Advanced version (Diagnosis and Alarming integrated).	200589	0.135
<b>Fieldbus Wizard Engineering Tool</b>			
	Engineering tool for segment design of Foundation Fieldbus or Profibus PA fieldbus installations Download under <a href="http://www.fieldbus-solutions.info">www.fieldbus-solutions.info</a>	-	-
<b>Terminator</b>			
	Fieldbus Terminator "Ex m"	168062 ▲	0.080

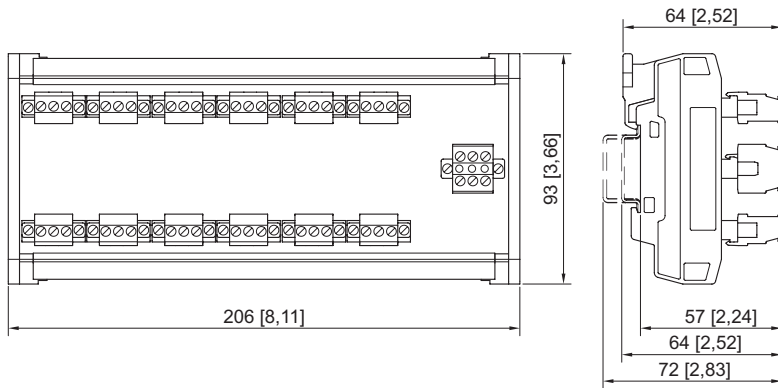
Dimensional Drawings (All Dimensions in mm [inches]) – Subject to Alterations

A5



Field Device Coupler, 4 Spurs, without enclosure

Field Device Coupler, 8 Spurs, without enclosure



Field Device Coupler, 12 Spurs, without enclosure