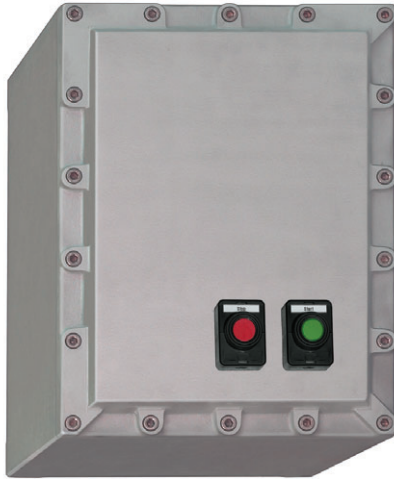


# Standard Motor Starters CUBEx

## Series 8264

**CUBEx**



- > Enclosures with Ex d protection
- > Available standard motor starters:
  - Direct-on-line motor starters DOL
  - Star-delta starters YD
  - Reversing starter combinations
- > Advantage
  - short time of delivery

www.stahl.de



10231E00

The standard motor starters described on the next page are fitted in flameproof enclosures.  
 As standard the starters are supplied without main switch, starting transformer, main and starter fuses and without control and monitoring devices; these parts can however be fitted to order.  
 Further details on request.

E7

	ATEX / IECEx						NEC 505 Class I				NEC 506		
Zone	0	1	2	20	21	22	Zone	0	1	2	20	21	22
For use in		x	x		x	x	For use in		x				

**WebCode 8264D**

# Standard Motor Starters CUBEx

## Direct-On-Line Motor Starters DOL

### Series 8264



#### Explosion Protection

##### Global (IECEX)

Gas and dust

IECEX KEM 07.0051X  
Ex d ... IIB + H2 T6 ... T4, Ex d ... IIB T6 ... T4  
Ex tD A21 IP66 T80°C ... T130°C

##### Europe (ATEX)

Gas and dust

KEMA 01 ATEX 2145  
Ⓔ II 2 GD Ex d IIB T6 (others on request)

##### Certifications and certificates

Certificates

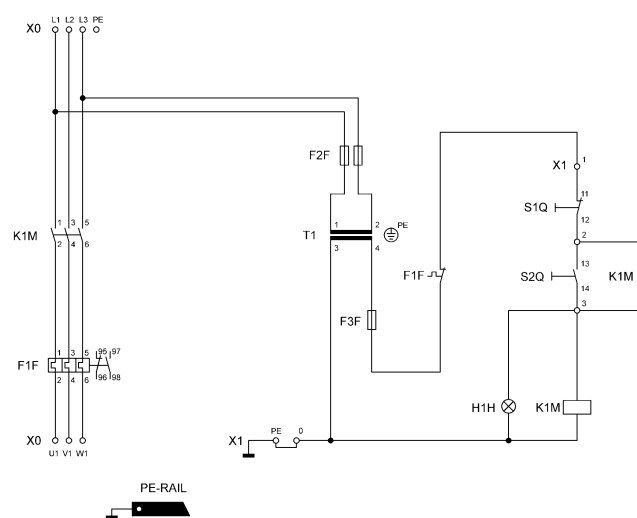
IECEX, ATEX, Brazil (INMETRO), China (China-Ex), India (PESO), Canada (cUL), Kazakhstan (TR), Korea (KCs), Russia (TR), Taiwan (ITRI), USA (UL), Belarus (TR)

#### Technical Data

##### Electrical data

Rated voltage  
Control voltage  
Circuit diagram

400 V AC  
230 V AC



08726E00

##### Ambient conditions

Ambient temperature

standard: -20 ... +40 °C  
on request: -55 ... +60 °C (IIB)  
-20 ... +60 °C (IIB + H2.)  
-55 ... +60 °C (tD)

##### Mechanical data

Degree of protection  
Enclosure

IP66 (EN 60529)  
standard: Aluminium (saltwater-proof according to EN 13195-1)  
special: Stainless steel

Note

Description:  
Contactor for switching on and off of motor circuits and ohmic consumers.  
With thermal excess-current release, design with control transformer acc. to EN 60204.  
To select the control transformer please state the rated voltage of the power supply.

#### Direct On-Line Motor Starters DOL

##### Selection Table

Breaking capacity 400 V AC-3	Ex d Enclosure	Cross section for connection	Cable entries, bottom	Ordering code
5.5 kW	8264/5212	4 x 6 mm <sup>2</sup> 3 x 4 mm <sup>2</sup>	1 x M32    3 x M25	8264/5-SM-ES5,5kW400V-T
7.5 kW	8264/5212	4 x 10 mm <sup>2</sup> 3 x 6 mm <sup>2</sup>	1 x M32    3 x M25	8264/5-SM-ES7,5kW400V-T
11 kW	8264/5212	4 x 10 mm <sup>2</sup> 3 x 6 mm <sup>2</sup>	1 x M32    3 x M25	8264/5-SM-ES11kW400V-T
15 kW	8264/5212	4 x 16 mm <sup>2</sup> 3 x 6 mm <sup>2</sup>	1 x M32    3 x M25	8264/5-SM-ES15kW400V-T
18.5 kW	8264/5212	4 x 16 mm <sup>2</sup> 3 x 10 mm <sup>2</sup>	1 x M32    3 x M25	8264/5-SM-ES18,5kW400V-T
22 kW	8264/5212	4 x 35 mm <sup>2</sup> 3 x 10 mm <sup>2</sup>	1 x M40    1 x M32    2 x M25	8264/5-SM-ES22kW400V-T
30 kW	8264/5222	4 x 35 mm <sup>2</sup> 3 x 16 mm <sup>2</sup>	1 x M40    1 x M32    2 x M25	8264/5-SM-ES30kW400V-T
37 kW	8264/5222	4 x 35 mm <sup>2</sup> 3 x 16 mm <sup>2</sup>	1 x M40    1 x M32    2 x M25	8264/5-SM-ES37kW400V-T
45 kW	8264/5222	4 x 50 mm <sup>2</sup> 3 x 35 mm <sup>2</sup>	1 x M50    1 x M40    2 x M25	8264/5-SM-ES45kW400V-T
55 kW	8264/5323	4 x 50 mm <sup>2</sup> 3 x 35 mm <sup>2</sup>	1 x M50    1 x M40    2 x M25	8264/5-SM-ES55kW400V-T
75 kW	8264/5323	4 x 50 mm <sup>2</sup> 3 x 35 mm <sup>2</sup>	1 x M50    1 x M40    2 x M25	8264/5-SM-ES75kW400V-T

# Standard Motor Starters CUBEx

## Star-Delta Starters YD

### Series 8264

# CUBEx

STAHL

#### Explosion Protection

##### Global (IECEX)

Gas and dust  
IECEX KEM 07.0051X  
Ex d ... IIB + H2 T6 ... T4, Ex d ... IIB T6 ... T4  
Ex tD A21 IP66 T80°C ... T130°C

##### Europe (ATEX)

Gas and dust  
KEMA 01 ATEX 2145  
⊕ II 2 GD Ex d IIB T6 (others on request)

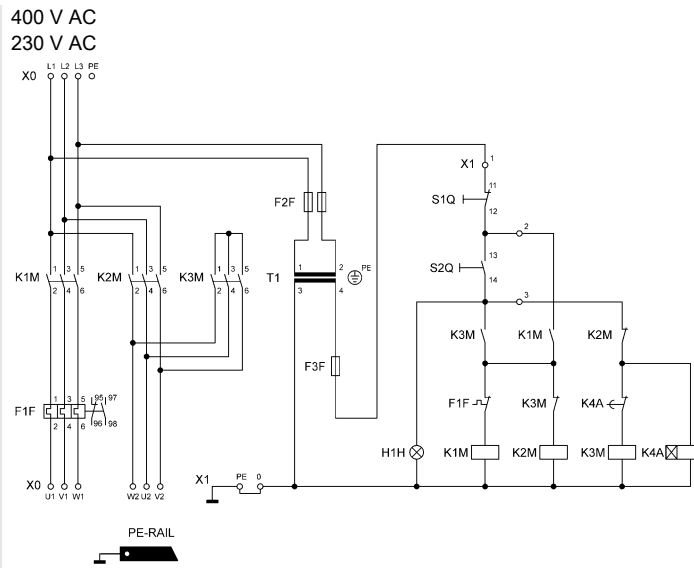
##### Certifications and certificates

Certificates  
IECEX, ATEX, Brazil (INMETRO), China (China-Ex), India (PESO), Canada (cUL), Kazakhstan (TR), Korea (KCs), Russia (TR), Taiwan (ITRI), USA (UL), Belarus (TR)

#### Technical Data

##### Electrical data

Rated voltage  
Control voltage  
Circuit diagram



10042E00

##### Ambient conditions

Ambient temperature  
standard: -20 ... +40 °C  
on request: -55 ... +60 °C (IIB)  
-20 ... +60 °C (IIB + H2.)  
-55 ... +60 °C (tD)

##### Mechanical data

Degree of protection  
Enclosure  
IP66 (EN 60529)  
standard: Aluminium (saltwater-proof according to EN 13195-1)  
special: Stainless steel

##### Note

Description:  
Contactor combination for switching on and off of motor circuits and ohmic consumers.  
With thermal excess-current release, design with control transformer acc. to EN 60 204.  
To select the control transformer please state the rated of the power supply.

#### Star-Delta Contactor Starters YD Selection Table

Breaking capacity 400 V AC-3	Ex d Enclosure	Cross section for connection	Cable entries, bottom	Ordering code
11 kW	8264/5222	4 x 6 mm <sup>2</sup> 6 x 4 mm <sup>2</sup>	3 x M32    2 x M25	8264/5-SL-SS11kW400V-T
15 kW	8264/5222	4 x 6 mm <sup>2</sup> 6 x 4 mm <sup>2</sup>	3 x M32    2 x M25	8264/5-SL-SS15kW400V-T
18.5 kW	8264/5222	4 x 6 mm <sup>2</sup> 6 x 4 mm <sup>2</sup>	3 x M32    2 x M25	8264/5-SL-SS18,5kW400V-T
22 kW	8264/5222	4 x 10 mm <sup>2</sup> 6 x 6 mm <sup>2</sup>	3 x M32    2 x M25	8264/5-SL-SS22kW400V-T
30 kW	8264/5323	4 x 16 mm <sup>2</sup> 6 x 6 mm <sup>2</sup>	3 x M40    2 x M25	8264/5-SL-SS30kW400V-T
37 kW	8264/5323	4 x 35 mm <sup>2</sup> 6 x 10 mm <sup>2</sup>	3 x M40    2 x M25	8264/5-SL-SS37kW400V-T
45 kW	8264/5323	4 x 35 mm <sup>2</sup> 6 x 16 mm <sup>2</sup>	1 x M50    2 x M40    2 x M25	8264/5-SL-SS45kW400V-T
55 kW	8264/5323	4 x 50 mm <sup>2</sup> 6 x 35 mm <sup>2</sup>	1 x M50    2 x M40    2 x M25	8264/5-SL-SS55kW400V-T
75 kW	8264/5323	4 x 50 mm <sup>2</sup> 6 x 35 mm <sup>2</sup>	1 x M50    2 x M40    2 x M25	8264/5-SL-SS75kW400V-T
90 kW	8264/5933	4 x 95 mm <sup>2</sup> 6 x 50 mm <sup>2</sup>	1 x M63    2 x M40    2 x M25	8264/5-SL-SS90kW400V-T
110 kW	8264/5933	4 x 150 mm <sup>2</sup> 6 x 95 mm <sup>2</sup>	1 x M63    2 x M50    2 x M25	8264/5-SL-SS110kW400V-T
132 kW	8264/5993	4 x 150 mm <sup>2</sup> 6 x 95 mm <sup>2</sup>	1 x M63    2 x M50    2 x M25	8264/5-SL-SS132kW400V-T
160 kW	8264/5993	4 x 240 mm <sup>2</sup> 6 x 150 mm <sup>2</sup>	3 x M63    2 x M25	8264/5-SL-SS160kW400V-T
200 kW	8264/5993	4 x 240 mm <sup>2</sup> 6 x 150 mm <sup>2</sup>	3 x M63    2 x M25	8264/5-SL-SS200kW400V-T

# Standard Motor Starters CUBEx

## Reversing Starter Combinations

### Series 8264



#### Explosion Protection

##### Global (IECEX)

Gas and dust

IECEX KEM 07.0051X  
Ex d ... IIB + H2 T6 ... T4, Ex d ... IIB T6 ... T4  
Ex tD A21 IP66 T80°C ... T130°C

##### Europe (ATEX)

Gas and dust

KEMA 01 ATEX 2145  
Ⓔ II 2 GD Ex d IIB T6 (others on request)

##### Certifications and certificates

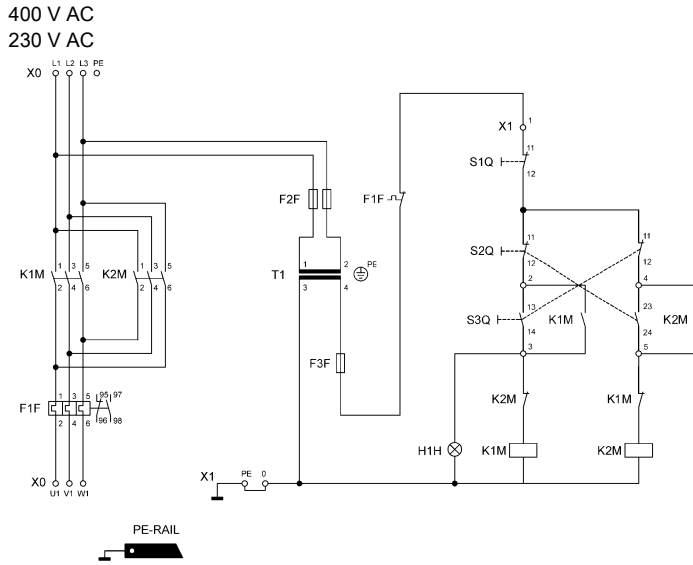
Certificates

IECEX, ATEX, Brazil (INMETRO), China (China-Ex), India (PESO), Canada (cUL), Kazakhstan (TR), Korea (KCs), Russia (TR), Taiwan (ITRI), USA (UL), Belarus (TR)

#### Technical Data

##### Electrical data

Rated voltage  
Control voltage  
Circuit diagram



10044E00

##### Ambient conditions

Ambient temperature

standard: -20 ... +40 °C  
on request: -55 ... +60 °C (IIB)  
-20 ... +60 °C (IIB + H2.)  
-55 ... +60 °C (tD)

##### Mechanical data

Degree of protection  
Enclosure

IP66 (EN 60529)  
standard: Aluminium (saltwater-proof according to EN 13195-1)  
special: Stainless steel

Note

Description:  
Contactor combination for changing direction of rotation of motor circuits.  
With thermal excess-current release, design with control transformer acc. to EN 60 204.  
To select the control transformer please state the rated voltage of the power supply.

#### Reversing Starter Combinations Selection Table

Breaking capacity 400 V AC-3	Ex d Enclosure	Cross section for connection	Cable entries, bottom	Ordering code
5.5 kW	8264/5112	4 x 6 mm <sup>2</sup> 3 x 4 mm <sup>2</sup>	2 x M32    2 x M25	8264/5-SL-WS5,5kW400V-T
7.5 kW	8264/5222	4 x 6 mm <sup>2</sup> 3 x 4 mm <sup>2</sup>	2 x M32    2 x M25	8264/5-SL-WS7,5kW400V-T
11 kW	8264/5222	4 x 10 mm <sup>2</sup> 3 x 6 mm <sup>2</sup>	2 x M32    2 x M25	8264/5-SL-WS11kW400V-T
15 kW	8264/5222	4 x 16 mm <sup>2</sup> 3 x 6 mm <sup>2</sup>	2 x M32    2 x M25	8264/5-SL-WS15kW400V-T
18.5 kW	8264/5222	4 x 16 mm <sup>2</sup> 3 x 10 mm <sup>2</sup>	2 x M32    2 x M25	8264/5-SL-WS18,5kW400V-T
22 kW	8264/5222	4 x 35 mm <sup>2</sup> 3 x 16 mm <sup>2</sup>	1 x M40    1 x M32    2 x M25	8264/5-SL-WS22kW400V-T
30 kW	8264/5323	4 x 35 mm <sup>2</sup> 3 x 16 mm <sup>2</sup>	1 x M40    1 x M32    2 x M25	8264/5-SL-WS30kW400V-T
37 kW	8264/5323	4 x 50 mm <sup>2</sup> 3 x 35 mm <sup>2</sup>	1 x M40    1 x M32    2 x M25	8264/5-SL-WS37kW400V-T
45 kW	8264/5323	4 x 95 mm <sup>2</sup> 3 x 35 mm <sup>2</sup>	1 x M50    1 x M40    2 x M25	8264/5-SL-WS45kW400V-T
55 kW	8264/5333	4 x 95 mm <sup>2</sup> 3 x 50 mm <sup>2</sup>	1 x M50    1 x M40    2 x M25	8264/5-SL-WS55kW400V-T
75 kW	8264/5333	4 x 95 mm <sup>2</sup> 3 x 95 mm <sup>2</sup>	1 x M63    1 x M50    2 x M25	8264/5-SL-WS75kW400V-T

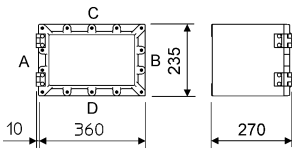
# Standard Motor Starters CUBEx

## Series 8264

**CUBEx**

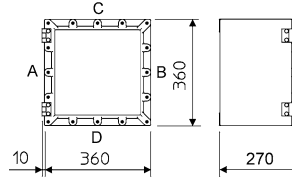


### Dimensional Drawings (All Dimensions in mm) - Subject to Alterations



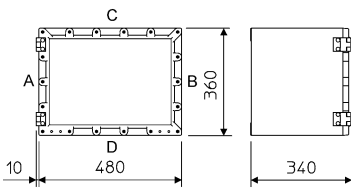
10053E00

**8264/5212**



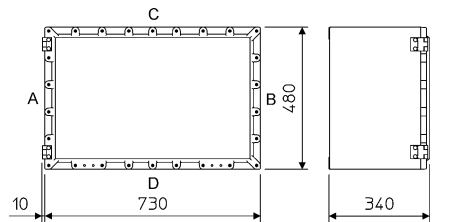
10052E00

**8264/5222**



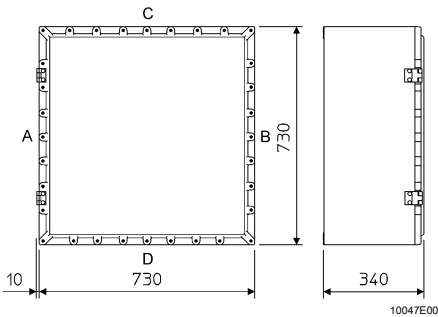
10050E00

**8264/5323**



10048E00

**8264/5933**



10047E00

**8264/5993**

We reserve the right to make alterations to the technical data, dimensions, weights, designs and products available without notice. The illustrations cannot be considered binding.

**E7**